

HBC 油壓方塊缸

Hydraulic Block Cylinder

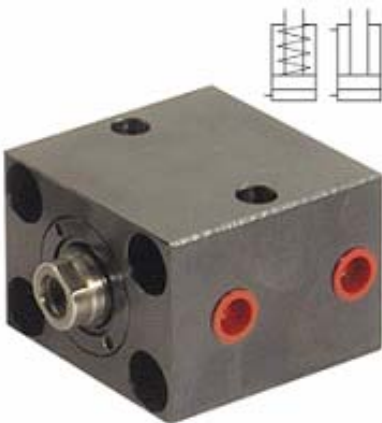
Flowtek

<http://www.flowtek-ltd.com/>

E-mail: clamp.well@msa.hinet.net

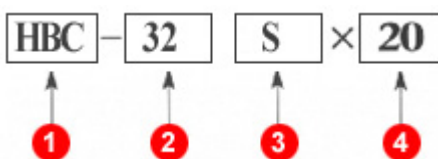
- Bore:Ø16-Ø40mm
- Pmax:500kg/cm²

Product Introduction



- The series of hydraulic cylinder complies with Germany specifications. Employ imported oil seal for outstanding pressure resistance. Standardized specifications and full interchangeability.
- Axial and side mounting type. Choice of single and double acting.

Ordering Code



1	Series	HBC	
2	Bore of cylinder	Ø16. Ø25. Ø32. Ø40	
3	Acting type	S	Single-acting
		D	Double-acting
4	Standard stroke	Refer to the dimensional table	

HBC 油壓方塊缸

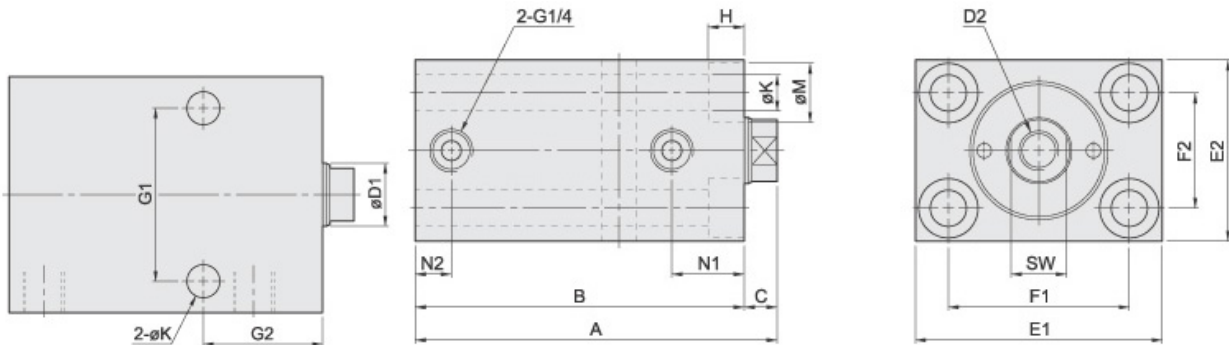
Hydraulic Block Cylinder

Flowtek

<http://www.flowtek-ltd.com/>

E-mail: clamp.well@msa.hinet.net

Clamping Force



Bore of cylinder (mm)	Piston-rod (mm)	Pressure area (c m ²)		Operation pressure kg/c m ²			
		F1	F2	100		500	
				F1	F2	F1	F2
Ø16	Ø10	2.01	1.22	201	122	1005	610
Ø25	Ø16	4.91	2.9	491	290	2455	1450
Ø32	Ø20	8.04	4.9	804	490	4020	2450
Ø40	Ø25	12.57	7.66	1257	766	6285	3830

Dimensional Table

UNIT:mm

Bore	Single acting			Double acting			C	D1	D2	SW	E1	E2	F1	F2	G1	G2	H	K	M	N1	N2
	Stroke	A	B	Stroke	A	B															
ø16	8	62	56	16	62	56	6	10	M6x1.0 12Deep	8	60	35	40	22	30	30	6.5	6.8	11	16.5	11
	20	97	91	50	97	91															
ø25	8	71	64	20	71	64	7	16	M10x1.5 15Deep	13	65	45	50	30	50	33	9	9	14	18	11
	20	101	94	50	101	94															
ø32	10	85	75	25	85	75	10	20	M12x1.75 15Deep	17	75	55	55	35	55	38	11	11	18	22	11
	20	110	100	50	110	100															
ø40	10	89	79	25	89	79	10	25	M16x2.0 25Deep	22	85	63	63	40	63	40	11	11	18	24	11
	20	114	104	50	114	104															